

cooling system

ceiling sail

90° edge, multi-piece

cooling register copper tube system

GEIPEL®

Genex-Vertrieb Ltd. & Co. KG

Molbitzer Weg 1 07806 Neustadt / Orla

Tel.: +49(36481-2060

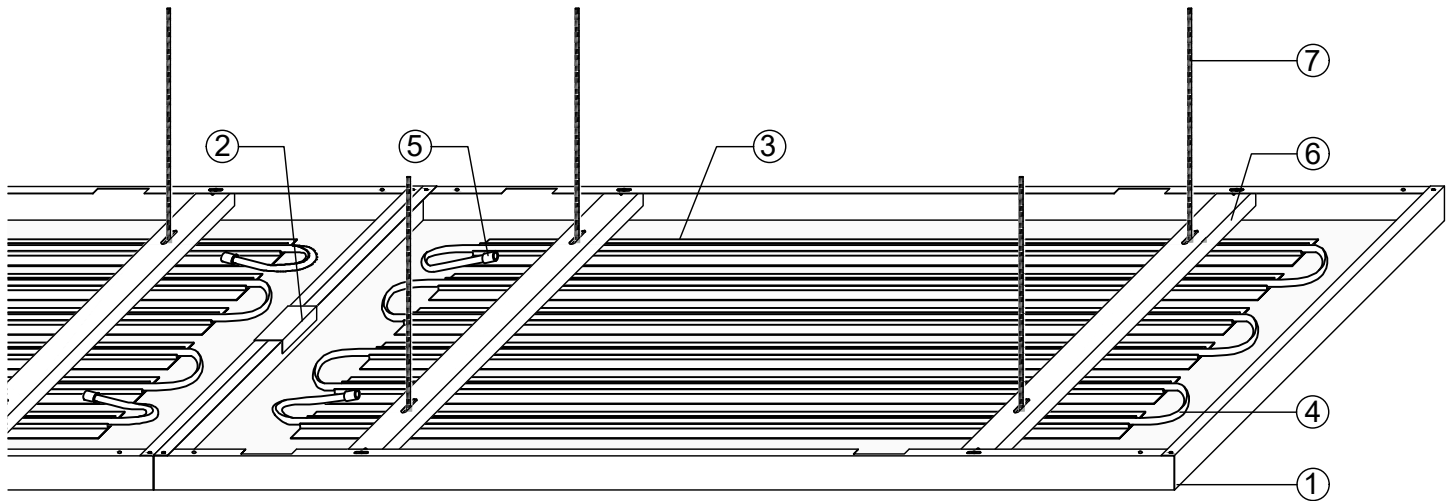
e-Mail: info@geipel-genex.de

Fax: +49(36481-20636

Internet: www.geipel-genex.de



Mitglied im TAIM e. V. - Verband
Industrieller Metalldeckenhersteller



- ① ceiling sail 90° multi-piece
- ② connector
- ③ heat-conducting profile
- ④ AL Cu-tube
- ⑤ dust protection cap
- ⑥ traverse
- ⑦ threaded rod