

cooling system

metal ceiling planks

mounting structure with C-Bandraster - removable

cooling register copper tube system

GEIPEL®

Genex-Vertrieb Ltd. & Co. KG

Molbitzer Weg 1 07806 Neustadt / Orla

Tel.: +49(36481-2060

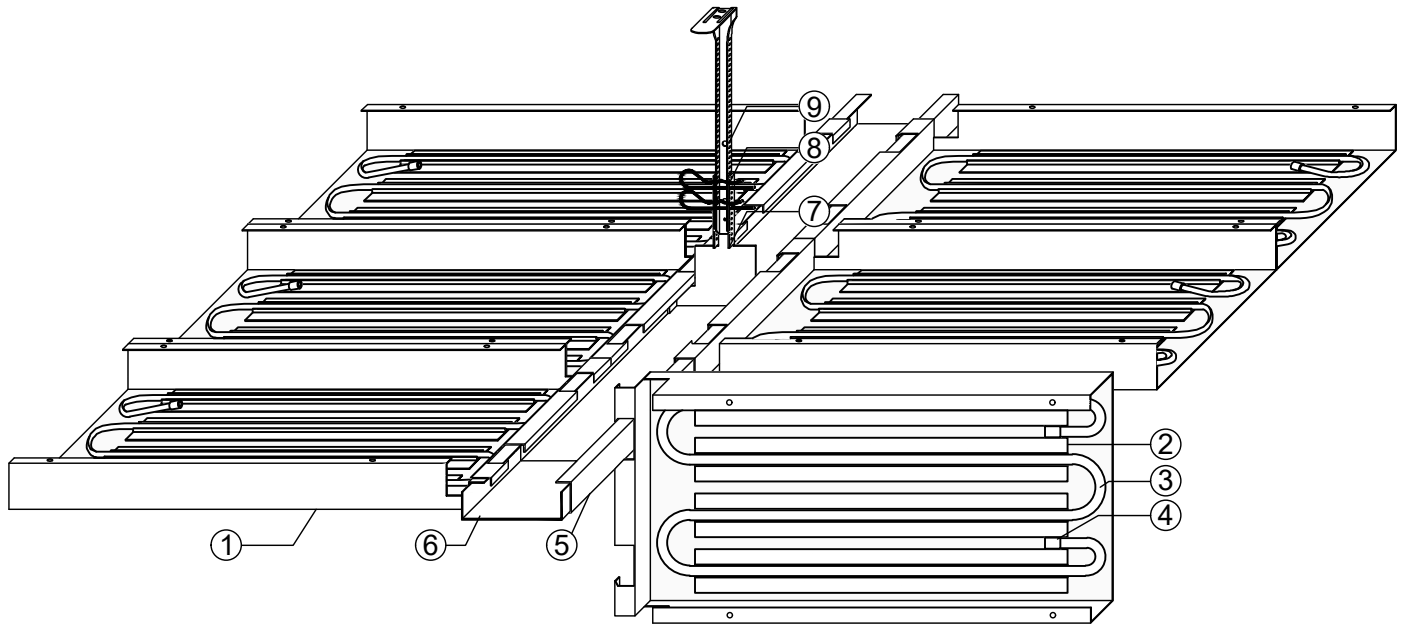
e-Mail: info@geipel-genex.de

Fax: +49(36481-20636

Internet: www.geipel-genex.de



Mitglied im TAIM e. V. - Verband
Industrieller Metalldeckenhersteller



- ① metal ceiling plank with hook - removable
- ② heat-conducting profile
- ③ AL Cu-tube
- ④ dust protection cap
- ⑤ C-Bandraster
- ⑥ longitudinal connector C-Bandraster
- ⑦ vernier lower part
- ⑧ locking pin for vernier
- ⑨ vernier upper part